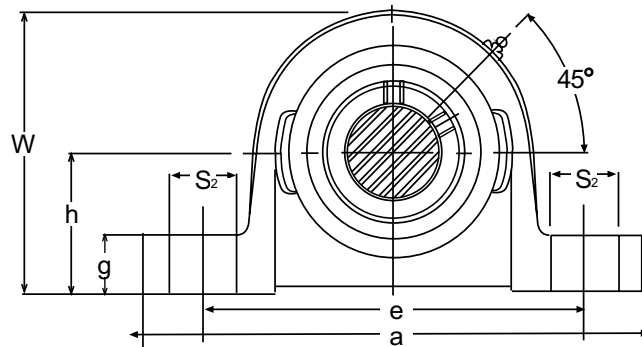
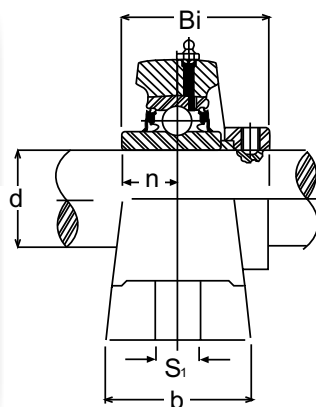
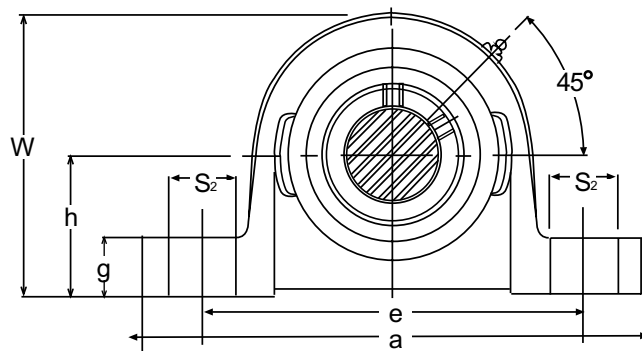
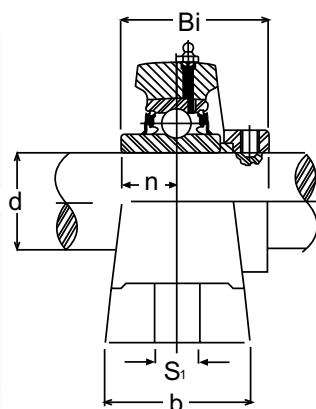
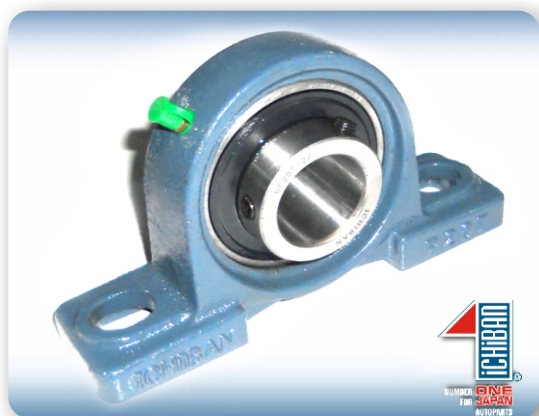


CHUMACERAS

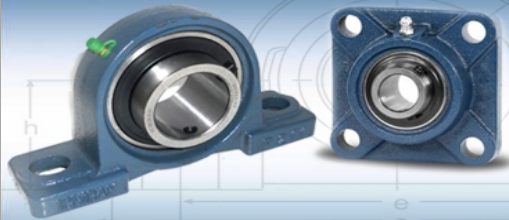
PILLOW BLOCK



Part Number	Shaft Diameter (d)												Bolt Used	
	(in.)	(mm)	h	a	e	b	s2	s1	g	w	Bi	n	(in.)	(mm)
UCP-205-16	1	25	36.5 1 7/16	140 5 1/2	105 4 1/8	38 1 1/2	19 3/4	13 1/2	15 19/32	71 2 25/32	34.1 1.3425	14.3 0.5630	3/8	M10

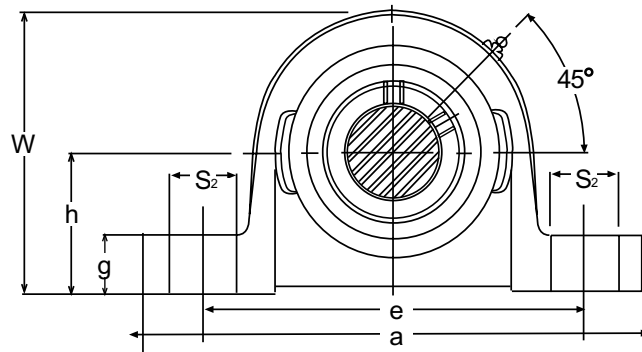
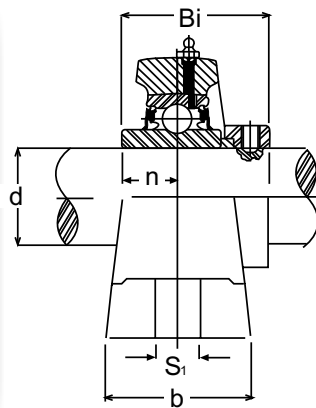


Part Number	Shaft Diameter (d)												Bolt Used	
	(in.)	(mm)	h	a	e	b	s2	s1	g	w	Bi	n	(in.)	(mm)
UCP-207-20	1 1/4	35	47.6 1 7/8	167 6 9/16	127 5	48 1 7/8	21 13/16	17 21/32	19 3/4	93 3 21/32	42.9 1.6890	17.5 0.6890	1/2	M14

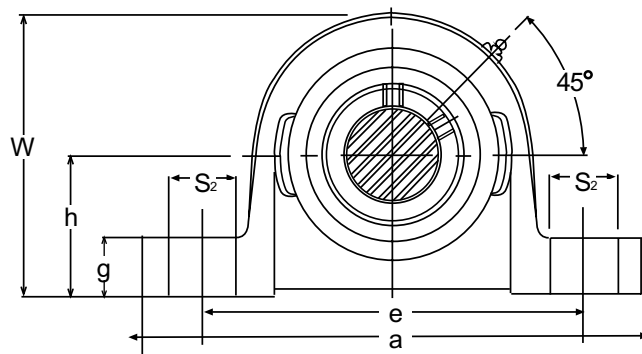
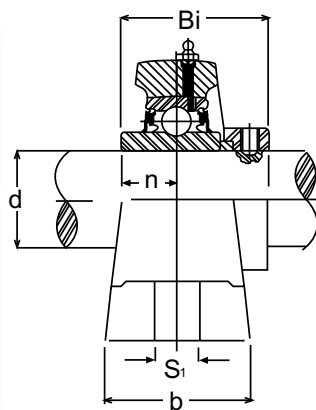


CHUMACERAS

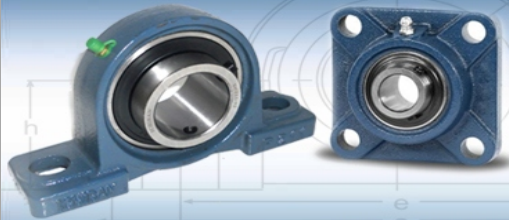
PILLOW BLOCK



Part Number	Shaft Diameter (d)												Bolt Used	
	(in.)	(mm)	h	a	e	d	s2	s1	g	w	Bi	n	(in.)	(mm)
UCP-208-24	1 1/2	38.6	49.2	184	137	54	21	17	20	98	49.2	19	1/2	M14
			1 15/16	7 1/4	5 13/32	2 1/18	13/16	21/32	25/32	3 27/32	1.9370	0.7480		

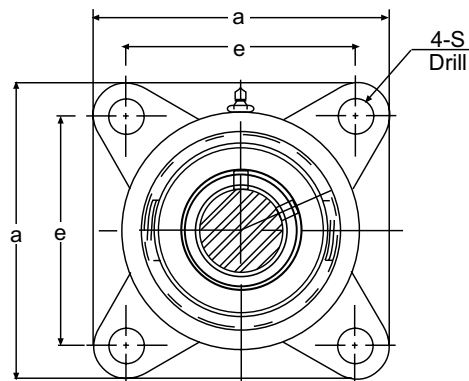
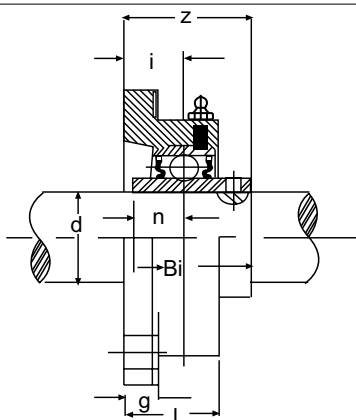
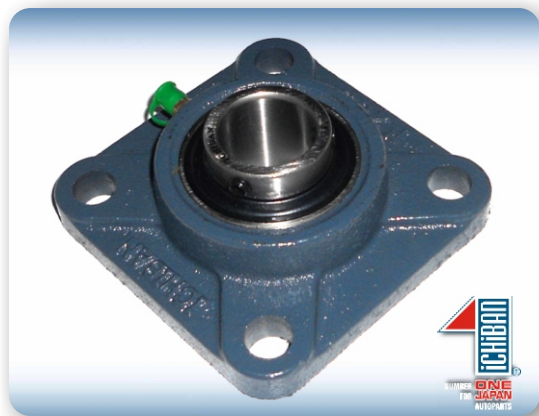


Part Number	Shaft Diameter (d)												Bolt Used	
	(in.)	(mm)	h	a	e	b	s2	s1	g	w	Bi	n	(in.)	(mm)
UCP-211-32	2	55	63.5	219	171	60	22	20	22	125	55.6	22.2	5/8	M16
			20 1/2	8 5/8	6 23/32	2 3/8	7/8	25/32	7/8	4 29/32	2.1890	0.8740		

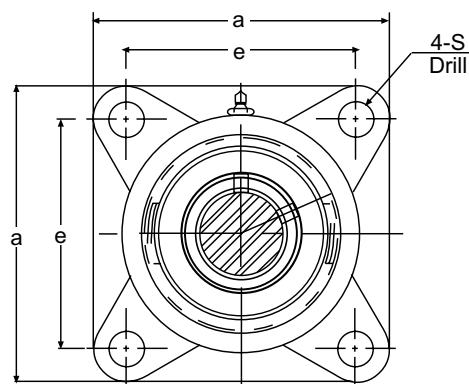
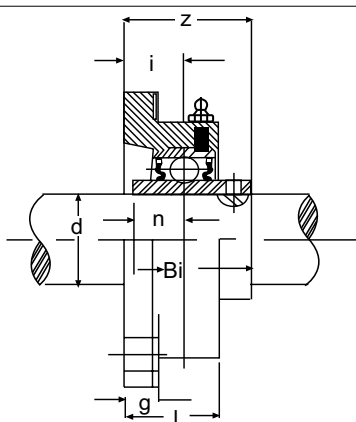
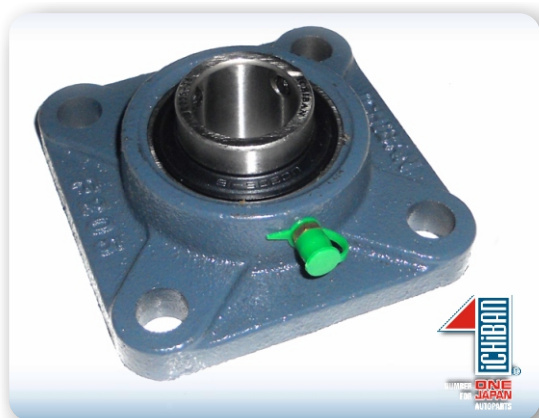


CHUMACERAS

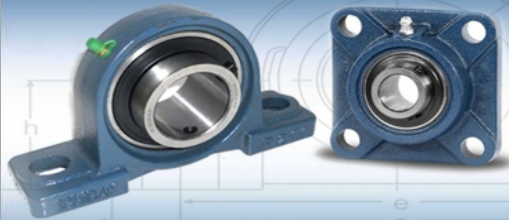
FLANGE



Part Number	Shaft Diameter (d)											Bolt Used	
	(in.)	(mm)	a	e	i	g	l	s	z	Bi	n	(in.)	(mm)
UCF-207-20	1 1/4	31.75	117	92	19	16	34	14	44.4	42.9	17.5	7/16	M12
			419/32	3 5/8	3/4	5/8	1 11/32	35/64	1 3/4	1.6890	0.689		

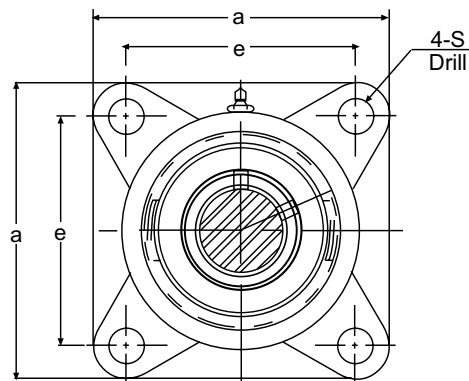
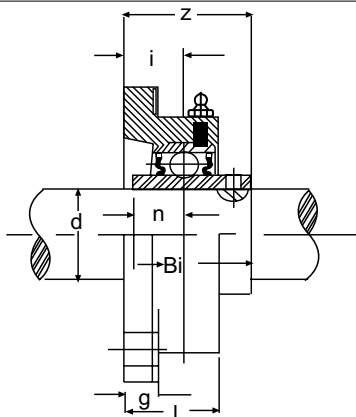
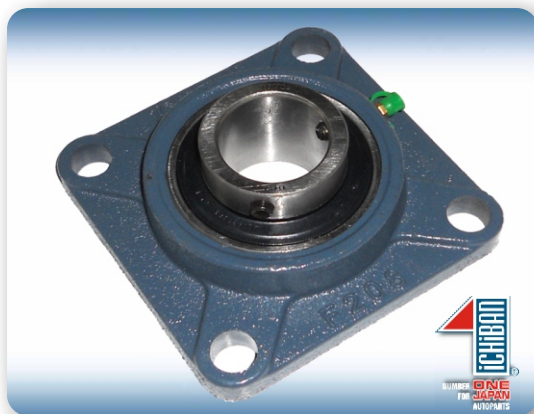


Part Number	Shaft Diameter (d)											Bolt Used	
	(in.)	(mm)	a	e	i	g	l	s	z	Bi	n	(in.)	(mm)
UCF-205-16	1	25.4	95	70	16	14.3	27	12	35.8	34.1	14.3	3/8	M10
			3 3/4	2 3/4	5/8	9/16	1 1/16	15/32	1 13/32	1.3425	0.563		



CHUMACERAS

FLANGE



Part Number	Shaft Diameter (d)											Bolt Used	
	(in.)	(mm)	a	e	i	g	l	s	z	Bi	n	(in.)	(mm)
UCF-208-24	1 1/2	38.6	130	102	21	15	36	16	51.2	49.2	19	1/2	M14
			5 1/8	4 1/64	13/16	19/32	1 13/32	5/8	2 1/64	1.9370	0.7480		



NUMBER ONE FOR JAPAN AUTOPARTS



AUTO & MOTORCYCLE PARTS

www.benitomo.com